



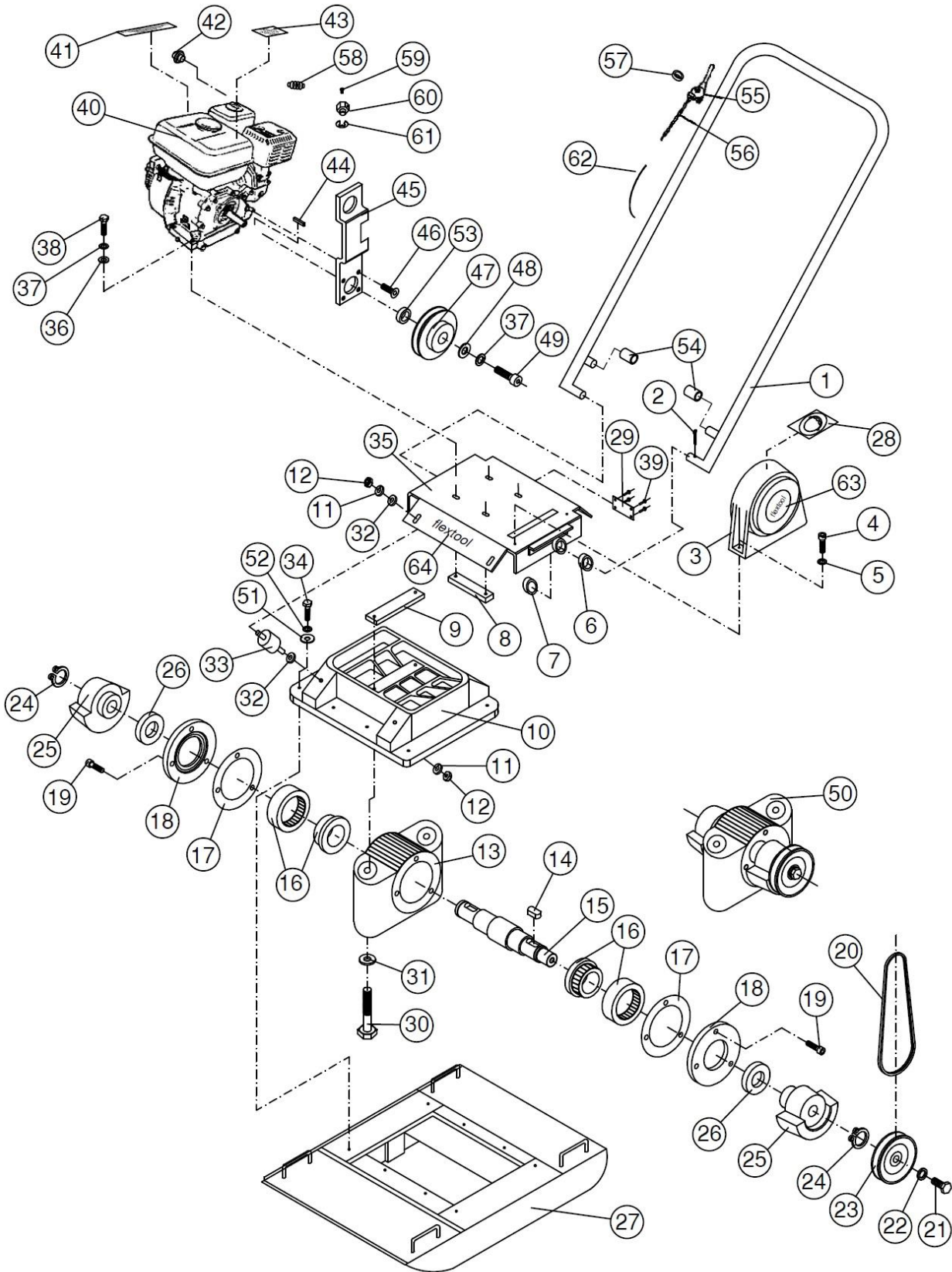
SPARE PARTS MANUAL

Flextool Forward Plate Compactor CP80



(All Models)

F03194



Item No.	Product Code	Description	Qty	Remarks
1	F02971	FLX HANDLE ASSY	1	
2	F02977	FLX SPLIT PIN	2	
3	F02973	FLX GUARD - CLUTCH	1	
4	F03061	FLX SCREW - SOCKET HEAD CAP	2	
5	F05543	FLX WASHER - SPRING	2	
6	F02975	FLX SLEEVE	2	
7	F07441	FLX WASHER - PLAIN - 0.75" I.D	2	
8	F02646	FLX PLATE - MOTOR PC	2	
9	F02954	FLX STRAP - VIBRATOR FLAT BAR	1	
10	F02948	FLX ALUMINIUM BASE PC	1	
11	F09925	FLX WASHER - SPRING 10MM	8	
12	F09931	FLX NUT - HEX 10MM	8	
13	F02963	FLX BODY - VIBRATOR	1	
14	F02968	FLX KEY - 6MM SQ	1	
15	F02969	FLX SPINDLE - VIBRATOR	1	
16	F02967	FLX BEARING	2	
17	F02966	FLX GASKET	2	
18	F02965	FLX END SHIELD	2	
19	F02962	FLX SCREW - SOCKET HEAD CAP	6	
20	F04262	FLX VEE BELT A29	1	
21	F03328	FLX BOLT HEX M8 X 1.0 X 20	1	
22	F02233	FLX WASHER - PLAIN	1	
23	F02959	FLX PULLEY	1	
24	F02960	FLX CIRCLIP - EXTERNAL	2	
25	F02961	FLX ROTOR - VIBRATOR	2	
26	F02964	FLX OIL SEAL 52 X 35 X 72	2	
27	F02949	FLX BASE ASSY	1	
28	F03465	FLX DECAL - SAFETY	1	
29	F09924	FLX LABEL - PC MODEL	1	
30	F02951	FLX BOLT HEX M16 X 150	2	
31	F02431	FLX WASHER - SPRING 0.625" X 0.156"	2	
32	F09926	FLX WASHER - PLAIN 10MM	8	
33	F02952	FLX RUBBER MOUNT	4	
34	F02953	FLX BOLT - HEX M12 X 45	8	
35	F02972	FLX MOTOR PLATE	1	
36	F01286	FLX WASHER - PLAIN 0.312" X 0.750"	4	
37	F06412	FLX WASHER - SPRING 0.312" X 0.0093"	5	
38	F04497	FLX BOLT - HEX 0.312" UNC X 1.750"	4	
39	F05289	FLX RIVET - DOME HEAD BLIND 0.125"	4	
40	F01628	FLX MOTOR HONDA GX160	1	
41	F03455	FLX LABEL - SAFETY (PETROL MOTORS)	1	
42	HE10961	FLX EXHAUST DEFLECTOR ASSY	1	
43	F01433	FLX LABEL - USE UNLEADED PETROL	1	
44	F04261	FLX KEY - CLUTCH 3/16" X 1-1/4"	1	
45	F02891	FLX LIFTING HOOK	1	
46	F06350	FLX SCREW - CS 5/16" UNF	4	
47	F06382	FLX CLUTCH ASSY DIA 3/4"	1	
48	F02233	FLX WASHER - PLAIN 0.312" X 1.100" X 0.100"	1	
49	F03362	FLX SCREW - HEX 5/16" X 3/4"	1	
50	F03063	FLX VIBRATOR ASSY	1	
51	F04044	FLX WASHER - PLAIN	8	
52	F05433	FLX WASHER - SPRING	8	
53	F02889	FLX SPACER - CLUTCH	1	

Item No.	Product Code	Description	Qty	Remarks
54	F03303	FLX HANDLE RUBBER	2	
55	F09954	FLX THROTTLE CONTROL LEVER	1	
56	F09953	FLX THROTTLE CABEL ASSY	1	
57	F02893	FLX RUBBER GRIP	1	
58	F09987	FLX SPRING	1	
59	F01358	FLX SCRWE - PAN HEAD M4 X 8	1	
60	H16594-883-010	FLX WIRE HOLDER	1	
61	F01357	FLX CIRCLIP	1	
62	F01748	FLX CABLE TIE	3	
63	F03454	FLX DECAL - FLEXTOOL	1	
64	F03451	FLX DECAL - FLEXTOOL	1	
54	F03303	FLX HANDLE RUBBER	2	
55	F09954	FLX THROTTLE CONTROL LEVER	1	
56	F09953	FLX THROTTLE CABEL ASSY	1	
57	F02893	FLX RUBBER GRIP	1	
58	F09987	FLX SPRING	1	
59	F01358	FLX SCREW - PAN HEAD M4 X 8	1	