



SPARE PARTS MANUAL

Flextool Drive Units (Petrol)

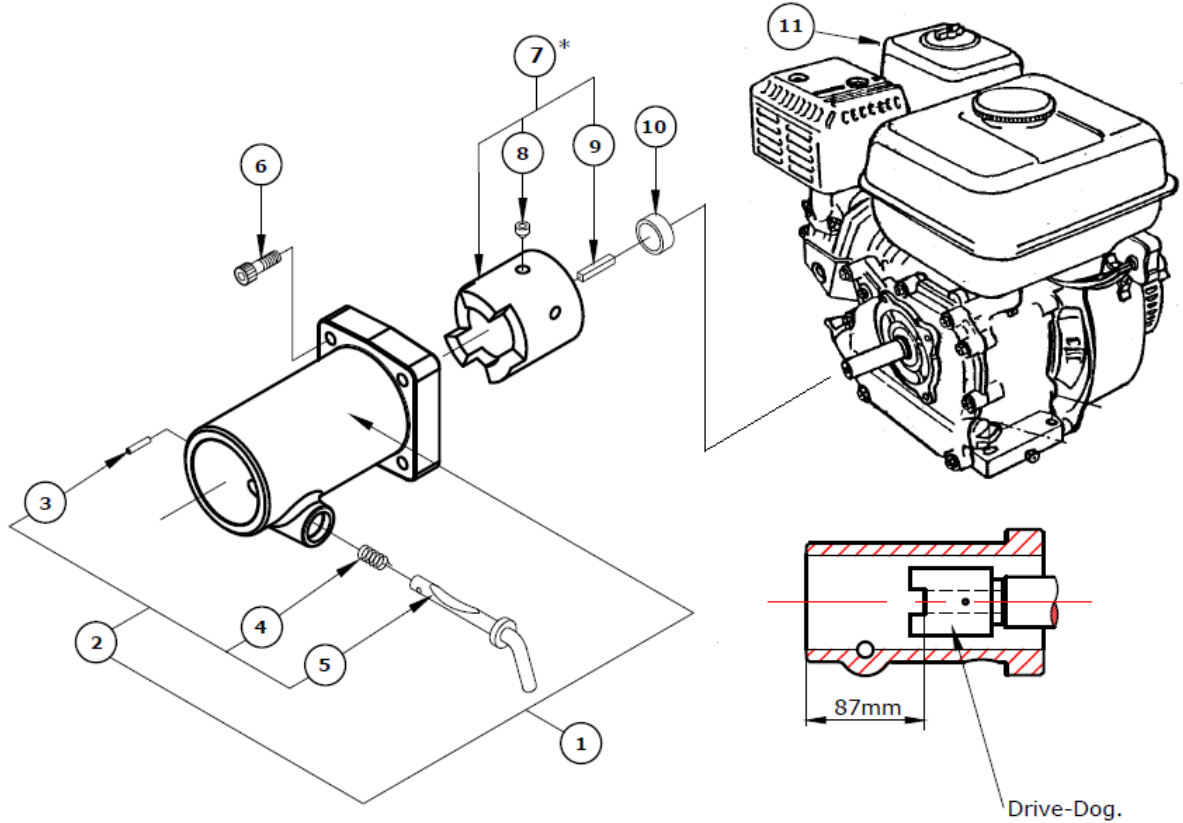
DP4



(All Models)

F01620 – F02062

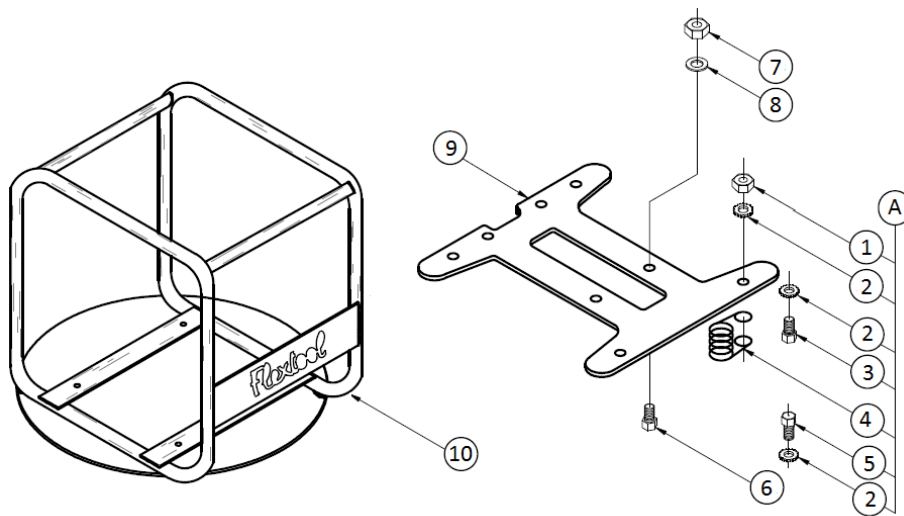
Engine / Bell Housing / Drive Dog (All Types)



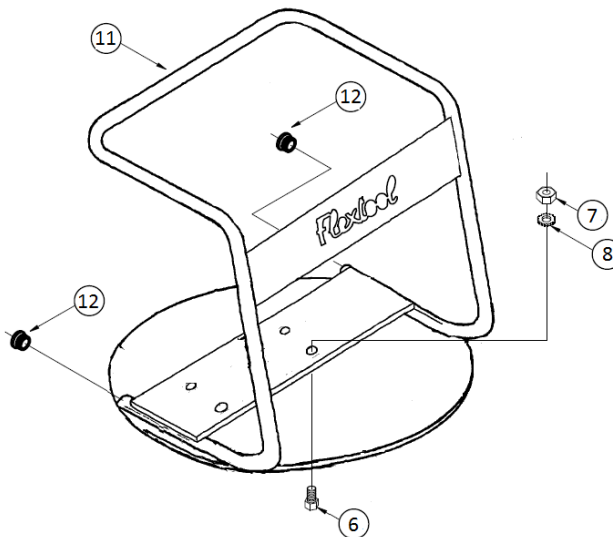
Item No.	Product Code	Description	Qty	Remarks
1	F03374	Bell Housing Assy (uses F03371 Housing)	1	Includes items 1 & 2 (Must replace Spacer (F03373) when replacing Bell Housing)
2	F07159	Trigger Kit Assy	1	Includes items 3 to 5
3		Spiral Pin – 5/32" x 3/4" (F04836)	1	Use F07159 (Item 2)
4		Spring (F04837)	1	Use F07159 (Item 2)
5		Trigger (F04835)	1	Use F07159 (Item 2)
6	F08326	Socket Head Cap Screw – M8 x 40mm	4	Suits 'SX' Engine Type
	F01369	Socket Head Cap Screw – 5/16 x 1.5" UNF	4	Suits 'QX' Engine Type
7	F08048	Drive Dog Kit – Bore Size 20mm (uses F07191 Drive Dog)	1	Includes items 8 to 10 Suits 'SX' Engine Type
	F07161	Drive Dog Kit – Bore Size 0.750" – 19.05mm (uses F04247 Drive Dog)	1	Includes items 8 to 10 Suits 'QX' Engine Type
8		Grub Screw – 3/8" x 3/8" UNF (Grade 10) (F03366)	2	Use F08048 or F07161 (Item 7)
9		Key – 5mm x 5mm x 30mm (F08049)	1	Use F08048 (Item 7) Suits 'SX' Engine Type
		Key – 0.187" SQ x 1.25" (F04261)	1	Use F07161 (Item 7) Suits 'QX' Engine Type
10	F03373	Spacer	1	
11	F01621	Honda GX160 – 5.5Hp Engine SX Type	1	
	F01628	Honda GX160 – 5.5Hp Engine QX Type	1	

Drive Unit Frames (All Types)

Suits F01620 Drive Unit



Suits F02062 Drive Unit



Item No.	Product Code	Description	Qty	Remarks
A	F07160	Anti-Vibration Spring Kit	1	Includes items 1 to 5
1		Lock Nut – Nylock Type 5/16" UNC (Zinc) (F09853)	4	Use F07160 (Item 1)
2		Lock Washer (Ex Tooth) – 5/16" (Zinc) (F07913)	12	Use F07160 (Item 1)
3		Hex Head Bolt – 5/16" x 1" BSW (Zinc) (F05323)	4	Use F07160 (Item 1)
4		Anti-Vibration Spring (F07867)	4	Use F07160 (Item 1)
5		Hex Head Bolt – 5/16" x 1/2" BSW (Zinc) (F07859)	4	Use F07160 (Item 1)
6	F06801	Hex Head Bolt – 5/16" x 1-1/2" UNC (Grade 5 HT) (Zinc)	4	
7	F09853	Lock Nut – Nylock Type 5/16" UNC (Zinc)	4	
8	F04264	Flat Washer – 5/16" x 5/8" x 18G (Zinc)	4	
9	F09593	Frame Assy – Engine Base (Spring Mount Drive Unit)	1	
10	F09802	Frame Assy – Roll Frame (Spring Mount Drive Unit)	1	Suits F01620 Drive Unit
11	F03170	Frame Assy – Roll Frame (Standard Drive Unit)	1	Suits F02062 Drive Unit
	F03170-GALV	Frame Assy – Roll Frame (Standard Drive Unit) GALVANISED	1	
12	F05304	Insert – Round Black 25.4m	2	