



---

## SERVICE SHEET

---

### 34" WALK-BEHIND POWER TROWEL

MODEL FT34

(THIS SERVICE SHEET APPLIES TO THE TROWELS WITH SERIAL NUMBER 10837 AND AFTER)



 **WARNING**

To reduce the risk of injury, all operators and maintenance personnel must read and understand these instructions before operating, changing accessories, or performing maintenance on this power equipment. All possible situations cannot be covered in these instructions. Care must be exercised by everyone using, maintaining or working near this equipment.



ITEM NO.	PART NO.	DESCRIPTION	QUANTITY	NOTES
1	F03431	LABEL, RUNAWAY SWITCH & THROTTLE	1	
2	F03455	DECAL, SAFETY, PETROL MOTOR	1	
3	F01433	LABEL, USE UNLEADED PETROL ONLY	1	
4	F03451	DECAL, FLEXTOL, 139MM X 38MM	1	
5	F03454	DECAL, FLEXTOL, DIA.75MM	1	
6	F03456	DECAL, SAFETY, POWER TROWEL	1	
7	F03396	NAMEPLATE, SERIAL NUMBER	1	



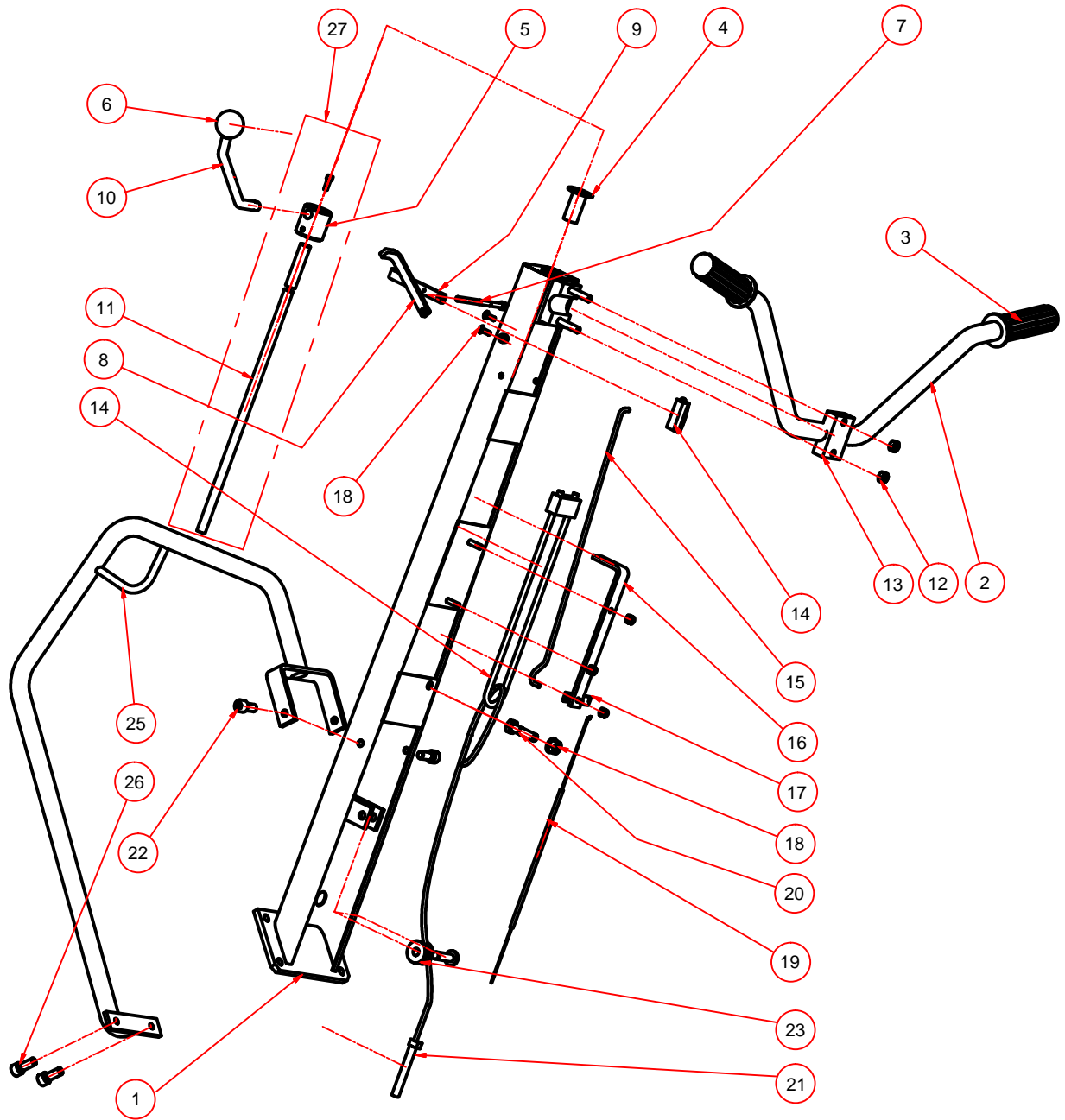
# Flextool

SERVICE SHEET

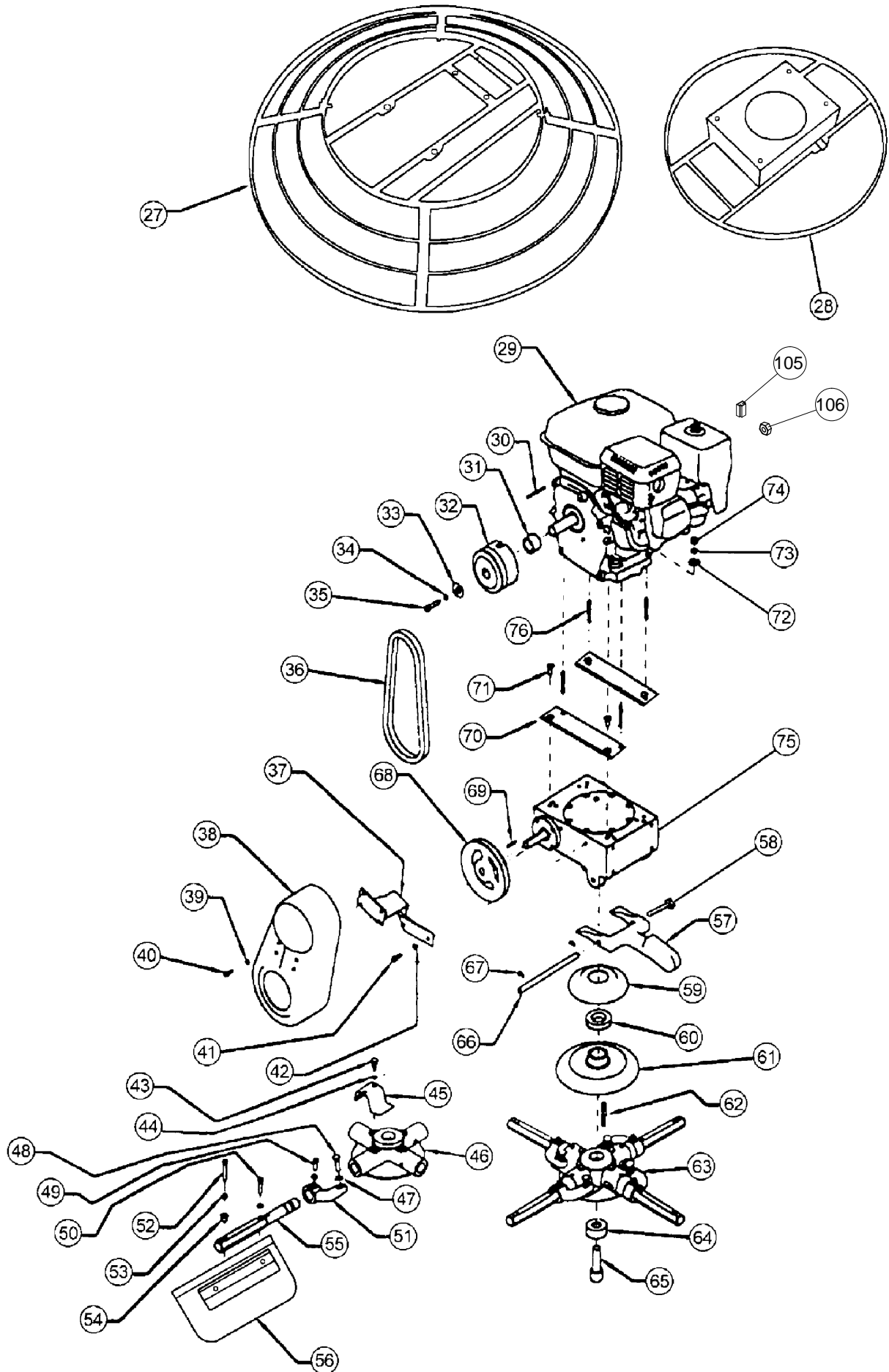
ISS; 22.05.2014

## WALK BEHIND POWER TROWEL MODEL FT34

PART NO.  
F03434









# Flextool

SERVICE SHEET ISSUE 22.05.2014

## WALK BEHIND TROWEL FT34 PARTS LIST

**PART NO.  
F03434**

ITEM NO.	PART NO.	DESCRIPTION	QUANTITY
27	FM340200001	GUARD RING ASSY	1
28	FM340200002	MOUNTING PLATE - GEAR BOX	1
29	FM340200003	PETROL ENGINE - HONDA GX160	1
30	FM340200004	KEY	1
31	FM340200005	SPACER	1
32	FM340200006	CLUTCH ASSY	1
33	FM340200007	RETAINER (EQUI. F09937)	1
34	FM340200008	SPRING WASHER	1
35	FM340200009	SCREW	1
36	FM340200010	BELT	1
37	FM340200011	MOUNTING PLATE - BELT GUARD	1
38	FM340200012	BELT GUARD - MT36	1
39	FM340200013	SPACER	4
40	FM340200014	M6 SCREW	4
41	FM340200015	M8 SCREW	2
42	FM340200016	SPACER	2
43	FM340200017	SCREW	4
44	FM340200018	NUT	4
45	FM340200019	SPRING PLATE	4
46	FM340200020	SPIDER PLATE ONLY	1
47	FM340200021	NUT	8
48	FM340200022	RADIUS HEAD SCREW	4
49	FM340200023	ROLLER PIN	4
50	FM340200024	BOLT, HEX HEAD, 3/8"BSW	4
51	FM340200025	TROWEL ARM LEVER	4
52	FM340200026	BOLT, HEX HEAD, 3/8"BSW	4
53	FM340200027	SPRING WASHER, 3/8"	8
54	FM340200028	SPACER	4
55	FM340200029	TROWEL ARM EXTENDED -MT36	4
56*	FT-S34-18	COMB. BLADE, 322 X 187, 3/8"BSW BOLT	4
57	FM340200031	ARM YOKE	1
58	FM340200032	BOLT	1
59	FM340200033	WEAR RING	1
60	FM340200034	BEARING	1
61	FM340200035	WEAR PLATE	1
62	FM340200036	PIN	1
63	FM340200037	SPIDER PLATE ASSY	1
64	FM340200038	SPACER	1
65	FM340200039	BOLT	1
66	FM340200040	YOKE PIN	1
67	FM340200041	WASHER	2
68	FM340200042	PULLEY	1
69	FM340200043	KEY	1
70	FM340200044	FRONT ENGINE MOUNTING PLATE	1
71	FM340200045	FLAT HEAD SCREW	4
72	FM340200046	SPACER	4
73	FM340200047	SPRING WASHER	4
74	FM340200048	NUT	4
75	FM340200049	GEAR BOX ASSY	1
76	FM340200050	SCREW	4
105	F03150	CONNECTOR, SCOTCHLOCK CABLE CRIMP	1
106	F09216	NUT, HEX, M5 X 0.8, THROTTLE CABLE	1

