



SPARE PARTS MANUAL

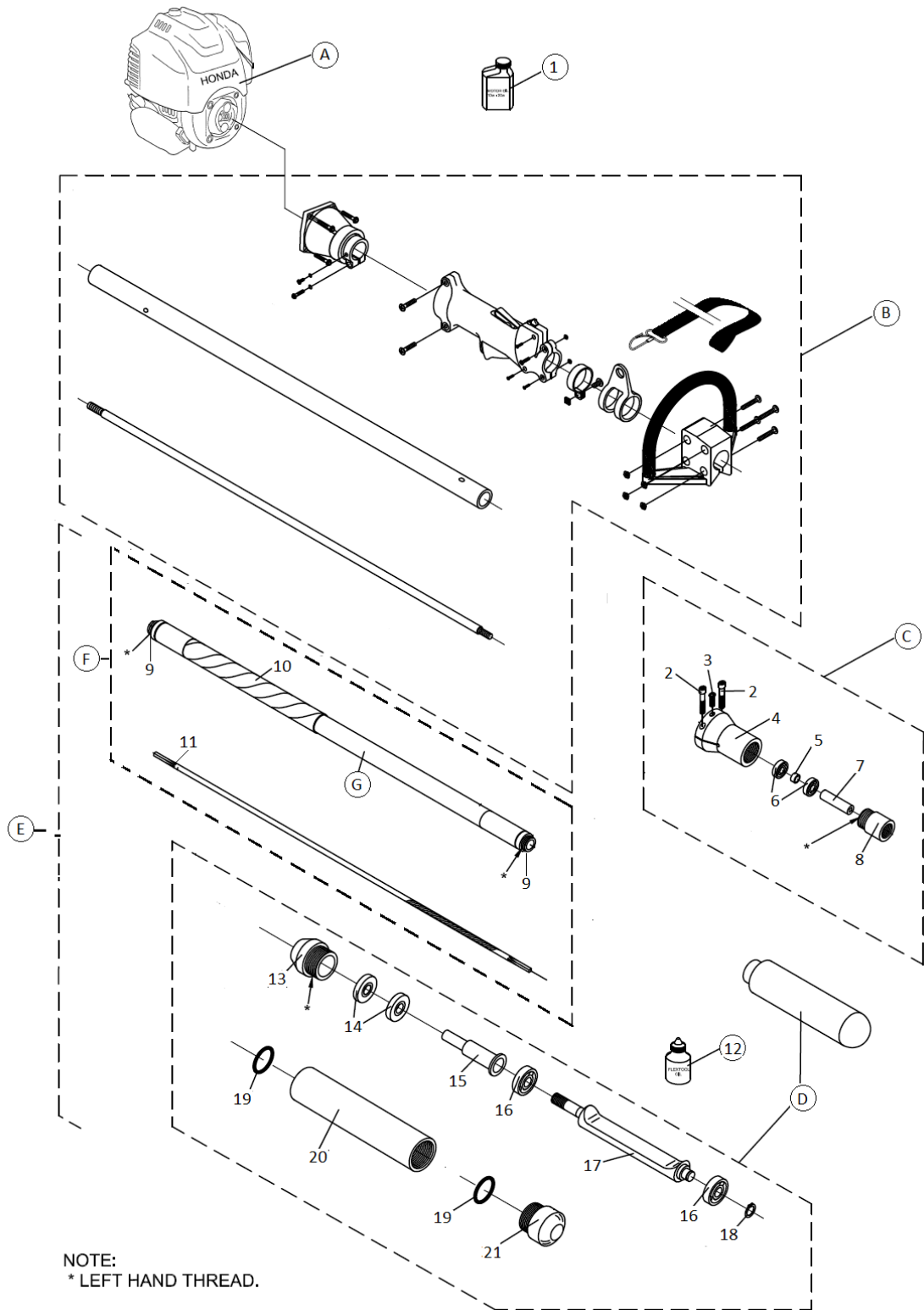
Flextool PortaVibe® VE44 – VE44R



(All Models)

F03330 – F03330EX – F03331

Flextool PortaVibe® (All Types)



Flextool PortaVibe® (All Types)

Item No.	Product Code	Description	Qty	Remarks
A	F03318	Honda GX35 Engine (TSUT)	1	
	F03319	Honda GX35 Engine (NTS3)	1	Suits (USA Spec Model)
B	F03320	Drive Shaft & Throttle	1	
C	F03282	Coupling Assy	1	Includes items 2 to 8
D	F09328	Vibrator Head Assy – VE44	1	Includes items 13 to 21 Hard Nose Type
	F03010	Vibrator Head Assy – VE44R	1	Includes items 13 to 21 Polyurethane Nose Type
E	F03003	Vibrator Shaft & Head Assy – VE44	1	Includes items D,F Hard Nose Type
	F03006	Vibrator Shaft & Head Assy – VE44R	1	Includes items D,F Polyurethane Nose Type
F	F02999	Flexshaft Assy	1	Includes items G, 11
G	F03001	Casing Assy (uses 2695-PV)	1	
1		Engine Oil – 10w-30w – 100ml (F03332)	1	
2	F05876	Screw – Socket Head Cap ¼” BSW x 1”	2	
3	F02896	Screw – Button Head Cap ¼” BSW x 5/8”	1	
4		Housing – PortaVibe Coupling (F02982)	1	Use F03282 (Item C)
5		Spacer – PortaVibe Coupling (F03281)	1	Use F03282 (Item C)
6	F01515	Bearing – 22mm x 8mm x 7mm, 2S (NSK 608T1XVVMC3E)	2	
7		Seal Sleeve – PortaVibe, Unground (F03359)	1	Use F03282 (Item C)
8	F05359	Adaptor – Motor UV3/UV4	1	
9		Ferrule (F08783)	2	Use F03001 (Item G)
10		Spring – OD 30mm x 318mm (F04036)	1	Use F03001 (Item G)
11	F03002	Core – PortaVibe	1	
12		Oil – Tellus 46 – 35ml (F06700)	1	
13	F09329	Adaptor – Barrel VE44	1	
14		Seal – 0.625” x 1.125” x 0.250” (F07508)	2	Use F09328-SK (Service Kit)
15	F06609	Adaptor – Spindle VE44	1	
16		Bearing – 15m x 35mm x 16mm – 2-Row (NSK 5202) (F09330)	2	Use F09328-SK (Service Kit)
17	F09332	Rotor – VE44	1	
18		Circlip – External Diam 15mm (F04180)	1	Use F09328-SK (Service Kit)
19		O-Ring – 1.296” x 0.139” (F04850)	2	Use F09328-SK (Service Kit)
20	F09331	Barrel – VE44	1	
21	F09333	Nose Cap – Hard Nose	1	Suits VE44
	F09342	Nose Cap – Polyurethane Nose	1	Suits VE44R

Service Kit

Item No.	Product Code	Description	Qty	Remarks
	F09328-SK	PortaVibe Head - Service Kit	1	Includes items – 14,16,18,19