

## Zemdrain®

### Supplementary fixing instructions for Zemdrain MD self-adhesive

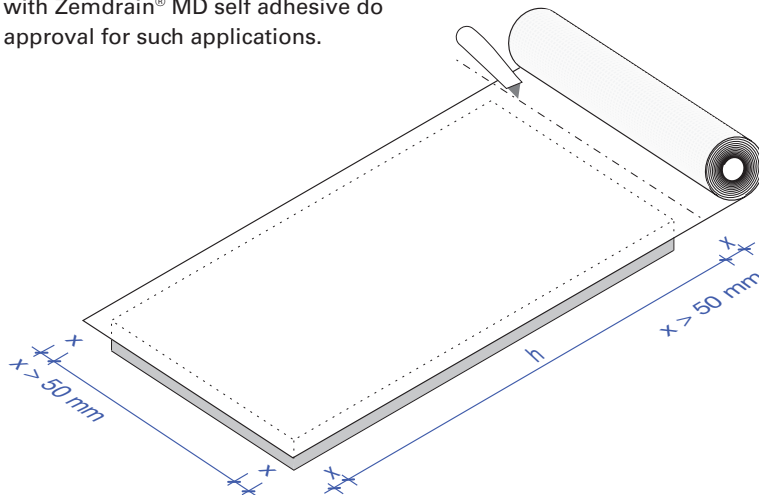
#### GENERAL INFORMATION

- Zemdrain® MD self-adhesive consists of a Zemdrain® MD liner with a factory applied hot melt adhesive on the supporting net.
- The general requirements of the "Technical application guidelines for Zemdrain®", (version dated June 2008) remain applicable for Zemdrain® MD self-adhesive. However, instructions relating to tensioning and fixing using staples are now superseded by the following "Fixing Instructions" applicable only for Zemdrain® MD self-adhesive.
- **Important:** Prior to application please ensure that the formwork surface is clean and dry by removing all loose particles, contaminants and water.
- Forms lined with this self-adhesive liner must be protected from direct sunlight and prolonged cycles of warming and cooling.
- Zemdrain® has been approved for use in the construction of drinking water reservoirs (DVGW German Technical & Scientific Association of Gas and Water Experts and similar), The adhesive and the double sided tapes used with Zemdrain® MD self adhesive do not have specific approval for such applications.

#### PREPARATION

- Forms should be raised off the ground and laid horizontally in both directions (use trestles or a similar support).
- **Important:** Please ensure that forms are rigid by using a sufficient number of stiffening supports.
- Unroll Zemdrain® MD self-adhesive and cut to the correct size, allowing an excess of at least 50 mm on all sides.
- Zemdrain® MD self-adhesive should be left lying flat for at least 10 minutes prior to fixing to allow the liner to relax and expand.

**Important:** Please note that Zemdrain® MD self-adhesive must not be fixed on the formwork when temperatures at the formwork surface exceed 50°C (surface temperature in direct sunlight can be considerably higher than the ambient air temperature). In hot weather it is necessary to protect the forms, prior to and after the fixing of the liner, from direct sunlight to avoid any problems arising.



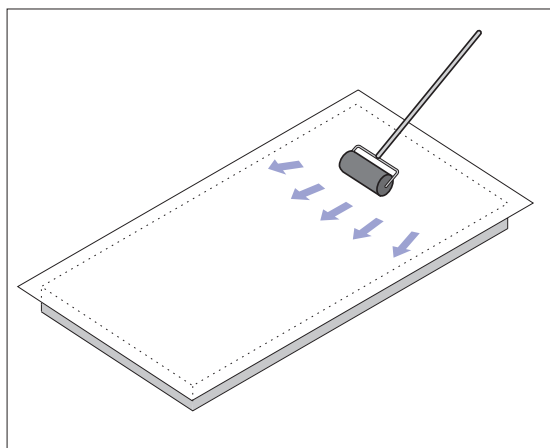
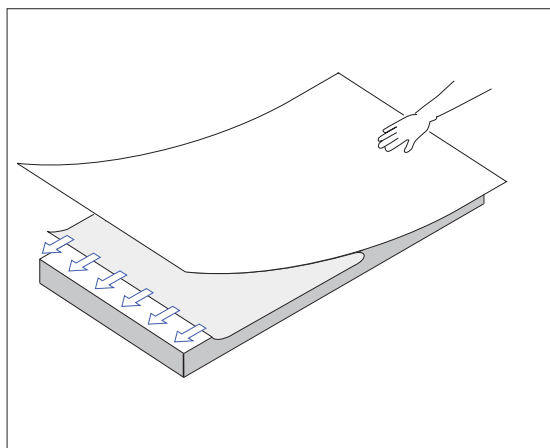
The Fixing Instructions for Zemdrain MD® self-adhesive provide technical assistance according to our current best knowledge. It may be necessary to alter these recommendations as more information becomes available. If in doubt consult your local Parchem Office. The contents of these Fixing Instructions, however, are not legally binding and in any case we always recommend, testing of the liner on your own site to establish best performance criteria.

# Zemdrain Application Instructions



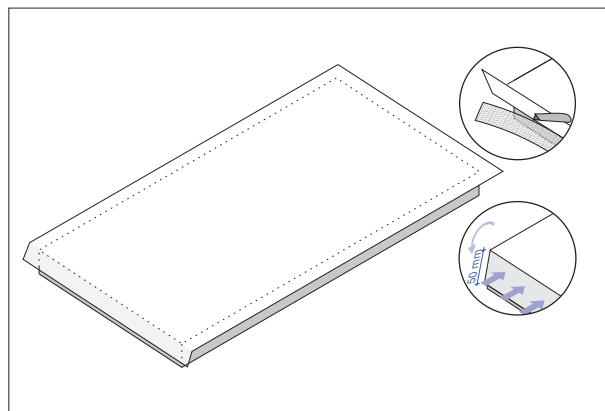
## PRESS ON AND FIX MATERIAL

- Whilst keeping Zemdrain® MD self-adhesive square on the form slowly remove the protective backing and at the same time gently press the liner against the form.
- Continue until the protective backing is completely removed and the liner is held in position against the form.
- The self-adhesive liner should then be firmly fixed in position by applying a uniform pressure to the surface using a special roller.
- For metallic and non-metallic forms the liner can now be fixed on all sides using the method suggested in "Edge Protection".



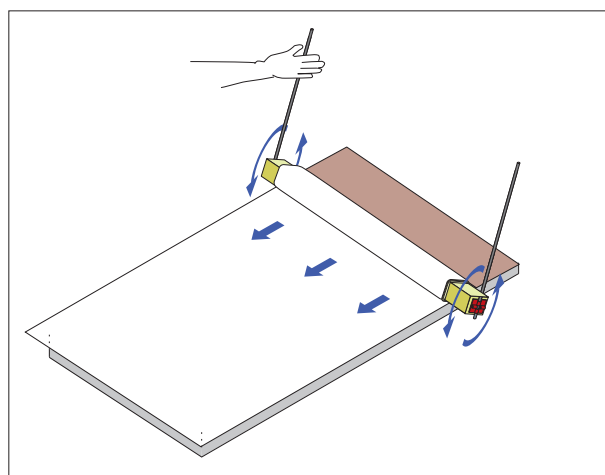
## EDGE PROTECTION

- For additional edge protection and to obtain the most aesthetic joint we would recommend that the grid and the filter should be separated as shown and the excess grid cut off, the filter can then be stapled to the edge of the form or held in place with double-sided tape.



## REPLACEMENT OF ZEMDRAIN® MD SELF-ADHESIVE ON THE FORMWORK

- Zemdrain® MD self-adhesive can usually be pulled off the formwork by hand. However, winding the used liner onto a squared timber as shown makes this work much easier. (use FRANK pull-off star handle).
- In situations where glue residues remain on the formwork surface, spray with Zemdrain® Kleberex and afterwards remove them with a scraper. Prior to repeated application of Zemdrain® MD self-adhesive, please ensure that the formwork surface is clean and dry by removing all loose particles, oil and water.



Zemdrain® is DuPont's registered trademark

PARCHEM	CONCRETE REPAIR	FLOORING	JOINTING SYSTEMS	WATERPROOFING
APPLICATION INSTRUCTIONS	JANUARY 2011			
www.parchem.com.au	7 Lucca Road, Wyong NSW 2259	Sales 1800 801 108	Technical 1800 812 864	ABN 80 069 961 968
				2