

Plastic Bottom Deck Spacer

Uses

- Suspended Decks and Beams
- Tilt-Up Panels
- Precast Panels and Beams
- Blinding Concrete

Description

The bottom deck spacer has been designed to support both mesh and large bars in suspended decks, precast beams and panels, and tilt-up applications. As an alternative to wire chairs and concrete blocks in several applications, the bottom deck spacers are lighter, offer dual heights and have no rust problems.

Strong and stable, the spacers have 5 small dimples that are grey for minimum exposure. The dimples also allow for tie wire to be placed under the spacer for fixing reo if required. Having supports for the reo with no clips, means one spacer fits all common reo sizes, saves steel-fixing time in horizontal applications, and the strain on hands pushing clips all day.

Advantages

- Strong and stable
- Allows tie wire under spacer
- Minimal exposure
- Large saddle
- Fits all common reinforcement sizes.

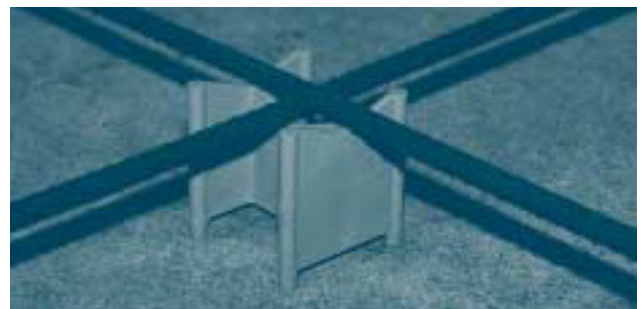
Supply

All bottom deck spacers are combination (dual heights).

15/20mm, 25/30mm, 35/40mm and 45/50mm.

* For heights over 50mm and up to 220mm,

the combination top deck spacers, combination panel chairs and deck chairs are also available.



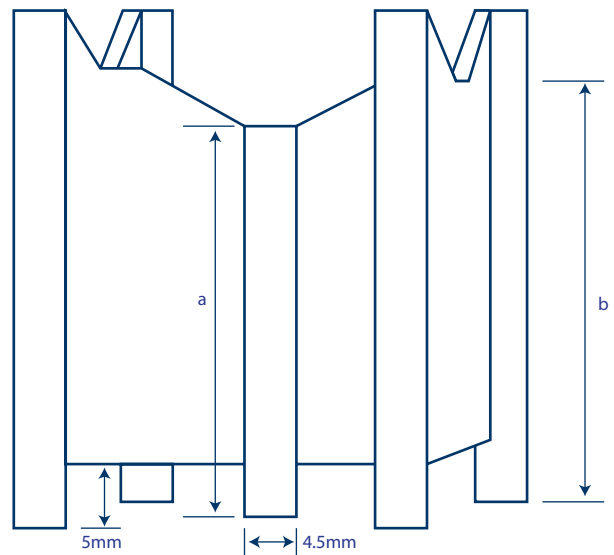
Plastic Bottom Deck Spacer

Properties

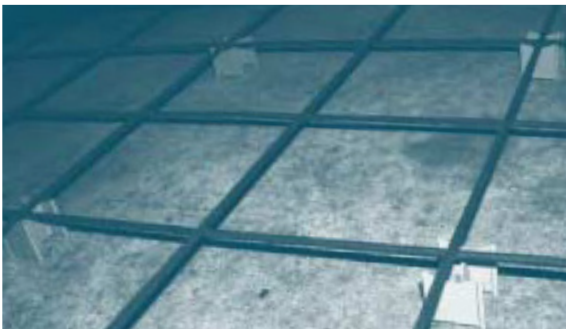
P/Code	Height (a)	(b)	Mass P/bag kg
BPDS15/20	15	20	0.7
BPDS25/30	25	30	1.1
BPDS35/40	35	40	1.6
BPDS45/50	45	50	1.9

All dimensions are nominal and expressed in millimetres.

All sizes are packed in bags of 100 and pallet quantities are nominally 5,000 pieces.



Bar in suspended decks



Mesh in tilt up panels

Important notice

A Safety Data Sheet (SDS) and Technical Data Sheet (TDS) are available from the Parchem website or upon request from the nearest Parchem sales office. Read the SDS and TDS carefully prior to use as application or performance data may change from time to time. In emergency, contact any Poisons Information Centre (phone 13 11 26 within Australia) or a doctor for advice.

Product disclaimer

This Technical Data Sheet (TDS) summarises our best knowledge of the product, including how to use and apply the product based on the information available at the time. You should read this TDS carefully and consider the information in the context of how the product will be used, including in conjunction with any other product and the type of surfaces to, and the manner in which, the product will be applied. Our responsibility for products sold is subject to our standard terms and conditions of sale. Parchem does not accept any liability either directly or indirectly for any losses suffered in connection with the use or application of the product whether or not in accordance with any advice, specification, recommendation or information given by it.