

# Flanged Dowel Box



## Metal dowel bar sleeve capable of large lateral movement

### Uses

Flanged Dowel Boxes are used in conjunction with regular square metal dowels to ensure load transfer across joints in concrete pavements whilst allowing movement within the joints. They are suitable for use with 16 mm to 40 mm dowel bars in;

- Expansion joints
- Contraction joints
- Construction joints

### Advantages

- Made from strong galvanised steel - stainless steel available on order
- Suitable for 16 mm to 40 mm square dowels
- Provides lateral movement in joint of up to +/- 20 mm
- Fitted with compressible foam plug to accommodate bar expansion
- The system utilises integrated nailing plates – no need to drill edge forms

### Description

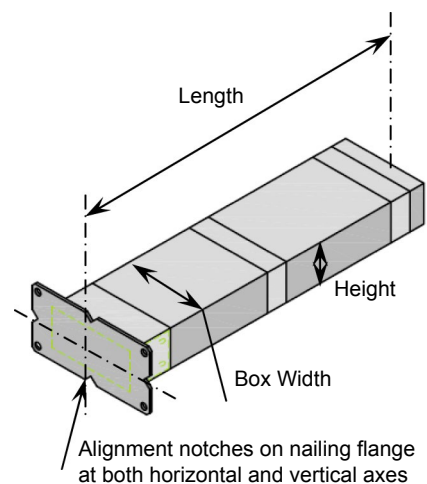
The dowel sleeve is made from galvanised steel and incorporates compressible foam strips on the inside of each side of the cover that allows the dowelled concrete joint to move laterally by up to 20 mm in each direction. The range of sleeves are designed to accept standard 16 mm to 40 mm square dowels as designated by the engineer. Each dowel sleeve is fitted with a compressible foam plug which creates space between the end of the sleeve and the end of the dowel to accommodate for any thermal expansion of the metal dowel.

The dowel sleeve is nailed to the edge forms. On removing the edge form the dowel sleeve remains in the concrete and is ready to accept the metal dowel.



### Flanged Dowel Box dimensions

Product	Dowel mm	H mm	W mm	Ls mm	Weight kg
16x220	S16	16	56	220	0.27
20x220	S20	20	60	220	0.30
25x220	S25	25	65	220	0.34
28x220	S28	28	68	220	0.47
32x220	S32	32	92	220	0.51
40x220	S40	40	100	220	0.58



### Installation Instructions

Dowelled joints in concrete pavements are only effective if the dowels are aligned level and parallel to each other therefore care must be taken to ensure formwork is well supported and accurately positioned.

The Flanged Dowel Box nailing plates should be nailed to the timber edge form at the height and spacing detailed by the Engineering drawings.

Note: it may be necessary to support the end of the Flanged Dowel Box by using bar chairs or tie to reinforcing bars supported by bar chairs.

After the concrete has hardened sufficiently (usually 24-36 hours), the edge forms can be removed and the appropriate metal dowel is then inserted into the dowel sleeve.



# Flanged Dowel Box

---

## Dowel Bars

A range of dowel bars are available in round or square, black or galvanised. Please contact your nearest Parchem office for details.

## Supply

Flanged Dowel Boxes are supplied 220 mm long ready to accept 400 mm long dowels.

Sizes are available to suit 16 mm, 20 mm, 25 mm, 28 mm, 32 mm and 40 mm square dowels.

## Product Code

<b>2502002</b>	Flanged Dowel Box 16mm X 220mm
<b>2502005</b>	Flanged Dowel Box 20mm X 220mm
<b>2502007</b>	Flanged Dowel Box 25mm X 220mm
<b>2502010</b>	Flanged Dowel Box 28mm X 220mm
<b>2502012</b>	Flanged Dowel Box 32mm X 220mm
<b>2502015</b>	Flanged Dowel Box 40mm X 220mm

## Important notice

A Safety Data Sheet (SDS) and Technical Data Sheet (TDS) are available from the Parchem website or upon request from the nearest Parchem sales office. Read the SDS and TDS carefully prior to use as application or performance data may change from time to time. In emergency, contact any Poisons Information Centre (phone 13 11 26 within Australia) or a doctor for advice.

## Product disclaimer

This Technical Data Sheet (TDS) summarises our best knowledge of the product, including how to use and apply the product based on the information available at the time. You should read this TDS carefully and consider the information in the context of how the product will be used, including in conjunction with any other product and the type of surfaces to, and the manner in which, the product will be applied. Our responsibility for products sold is subject to our standard terms and conditions of sale. Parchem does not accept any liability either directly or indirectly for any losses suffered in connection with the use or application of the product whether or not in accordance with any advice, specification, recommendation or information given by it.