

Ferrule support chairs

Uses

- Ideal for the Panel Industry

Description

An easy-to-use ferrule chair developed to locate "face-up" ferrules in precast panels and tilt-up panels. This chair is designed to locate the (ferrule with antennae cap) to about 1 to 2mm below the panel surface when a 96mm ferrule is used.

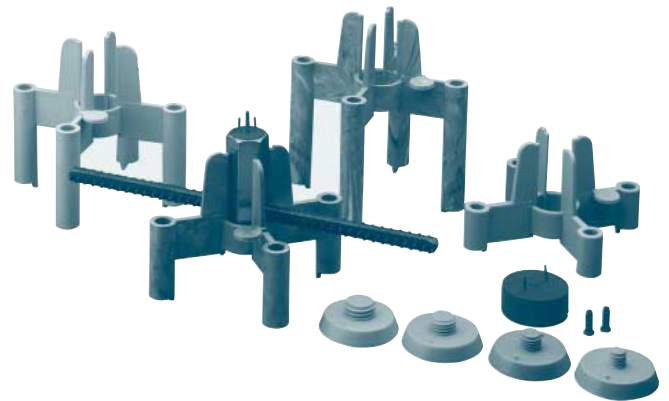
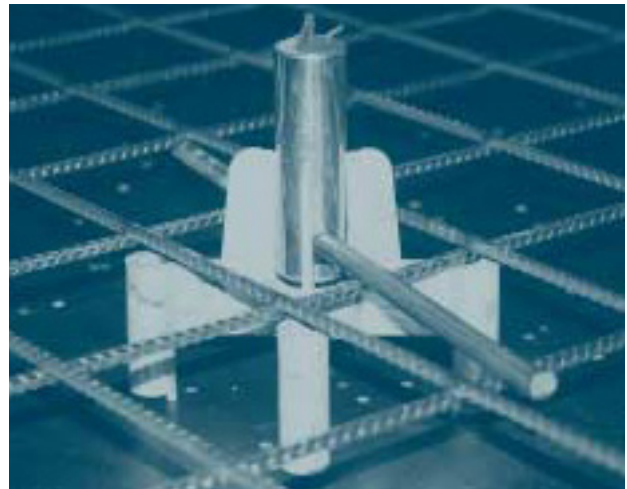
A major time saver the ferrule chair is manufactured to provide a strong, impact resistant support which is non-corrosive and having minimal exposure.

Advantages

- Antennae Caps - available in full range
- Concrete Grey
- Strong feet with minimal exposure
- Hollow centre to ensure bar is in place
- Tag for easy identification
- Ridged - locating support for ferrule

Supply

Available to suit a 96mm ferrule for panel thicknesses of 125,150,175, 180 and 200mm



Ferrule Support Chairs

Properties

P/Code	A	B	No per bag	Mass per bag kg
FWSC125/96	96	125	50	4.3
FWSC150/96	96	150	50	4.5
FWSC175/96	96	175	50	5.5
FWSC180/96	96 <td 180	50	6.0	
FWSC200/96	96	200	50	6.4

*Antenna cap located with 1 to 2mm clearance for screeding.
Packed in bags of 50.

All dimensions are nominal and expressed in millimeters

NOTE: Other ferrule lengths and widths can be accommodated subject to volume and timing.

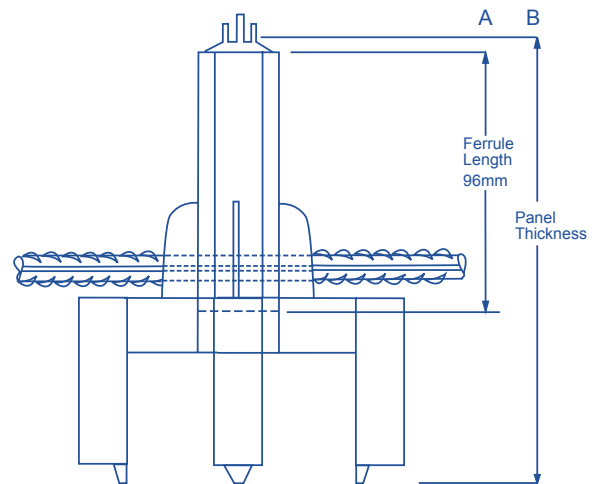
Antennae Caps

Designed to protect the threads of ferrules while pouring and screeding. Provides effective seal through a tight push fit and a ridge which locks into the thread.

Properties

Code	Colour	Height	No per bag	Mass per bag kg
FWAC12	Red	12mm	100	0.1
FWAC16	Green	16mm	100	0.1
FWAC20	Blue	20mm	100	0.2
FWAC24	Yellow	24mm	100	0.2

NOTE: Sizes are colour coded for easy reference.



Important notice

A Safety Data Sheet (SDS) and Technical Data Sheet (TDS) are available from the Parchem website or upon request from the nearest Parchem sales office. Read the SDS and TDS carefully prior to use as application or performance data may change from time to time. In emergency, contact any Poisons Information Centre (phone 13 11 26 within Australia) or a doctor for advice.

Product disclaimer

This Technical Data Sheet (TDS) summarises our best knowledge of the product, including how to use and apply the product based on the information available at the time. You should read this TDS carefully and consider the information in the context of how the product will be used, including in conjunction with any other product and the type of surfaces to, and the manner in which, the product will be applied. Our responsibility for products sold is subject to our standard terms and conditions of sale. Parchem does not accept any liability either directly or indirectly for any losses suffered in connection with the use or application of the product whether or not in accordance with any advice, specification, recommendation or information given by it.