

## Clip-on chairs for mesh support

### Uses

- Tilt-Up and Precast Panels
- Suspended Slabs
- Slab on Ground with bases

### Description

A versatile range of fast clip-on chairs for mesh support. FCM's are available in a wide range of cover sizes from 20mm with extensions and bases to 170mm. The chair is designed to clip easily to the intersection of the mesh, providing greater strength and stability.

Colour coded grey, the chair bases and extensions have minimal exposure, ideal for tilt-slab, precast panel and suspended deck applications. Bases of both 15 or 25mm can be used to increase cover and stability and minimise exposure. Flat circular bases of 80mm diameter are also available for slab on ground applications.

### Applications

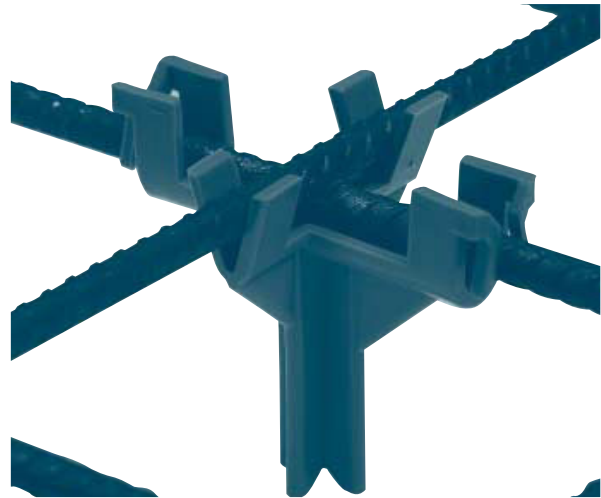
- Slab on ground
- Suspended slabs
- Tilt-up and Precast panels
- Insitu walls

### Advantages

- Fixes to intersection to remain secure
- Minimal exposure
- Concrete Grey
- No rust problems
- Easy clip-on
- Range of base options

### Supply

Chairs in: 20, 25, 30, 35, 40, 50, 65 and 75mm cover  
Extensions in: 25, 30, 50, 60, 65 and 70mm  
Bases in: 15, 25mm and slab on ground.



# Fast Clip Mesh Support

## Properties

### Mesh Supports

P/Code	Cover Mass	Per Bag kg
FCM20	20	0.5
FCM25	25	0.6
FCM30	30	0.6
FCM35	35	1.3
FCM40	40	1.4
FCM50	50	1.4
FCM65	65	1.6
FCM75	75	1.7

### Extensions

P/Code	Cover Mass	Per Bag kg
FCMX25	25	0.6
FCMX30	30	0.7
FCMX50	50	1.0
FCMX60	60	1.1
FCMX65	65	1.1
FCMX70	70	1.2

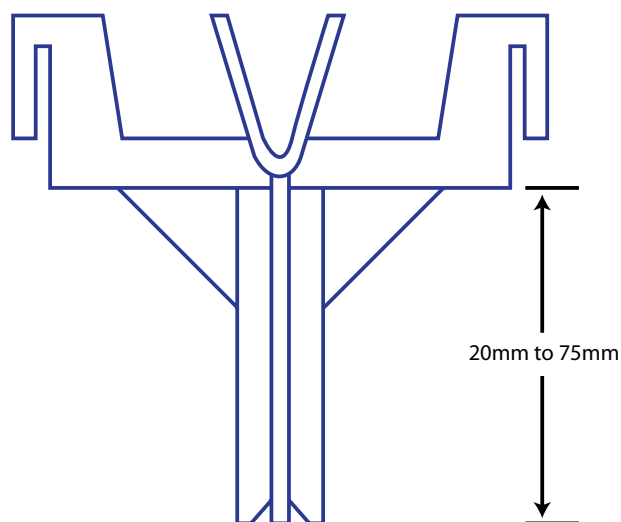
### Bases

P/Code	Cover Mass	Per Bag kg
FW BASE015	+ 15	0.9
FW BASE025	+ 25	1.1

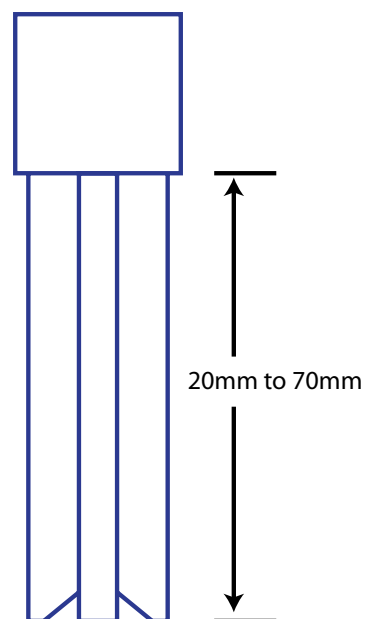
### Slab on Ground Base

P/Code	Cover Mass	Per Bag kg
FC BASE	+ 2	1.3

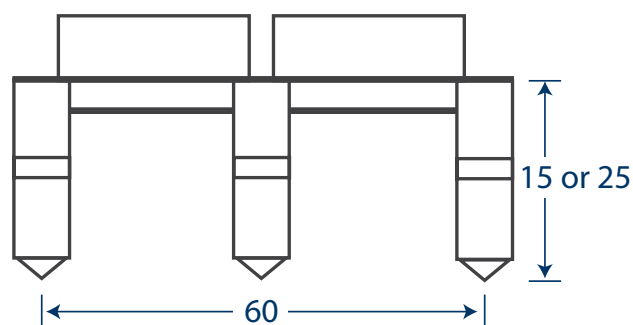
Packed in bags of 100. All dimensions are nominal and expressed in millimeters.



**Mesh support**



**extention**



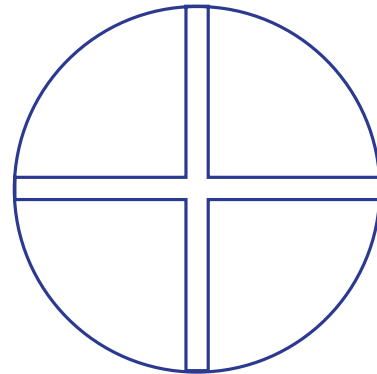
**BASE ELEVATION**

# Fast Clip Mesh Support

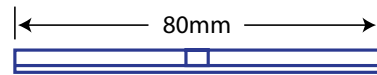
## Suggested Combinations

Chair Cover	Chair & Extension
90	40 + 50
95	65 + 30
100	50 + 50
105	40 + 65
110	50 + 60
115	65 + 50
120	50 + 70
125	65 + 60
130	65 + 65
135	65 + 70
140	75 + 60
145	75 + 70

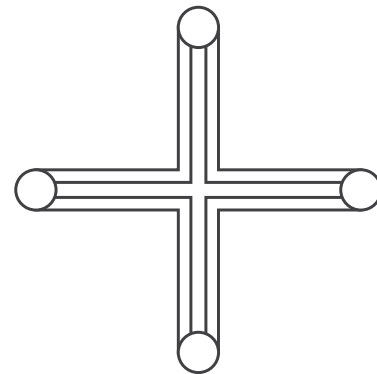
Above 145mm, use a combination of extension pieces or bases.



slab on ground base plan



Profile



BASE PLAN

### Important notice

A Safety Data Sheet (SDS) and Technical Data Sheet (TDS) are available from the Parchem website or upon request from the nearest Parchem sales office. Read the SDS and TDS carefully prior to use as application or performance data may change from time to time. In emergency, contact any Poisons Information Centre (phone 13 11 26 within Australia) or a doctor for advice.

### Product disclaimer

This Technical Data Sheet (TDS) summarises our best knowledge of the product, including how to use and apply the product based on the information available at the time. You should read this TDS carefully and consider the information in the context of how the product will be used, including in conjunction with any other product and the type of surfaces to, and the manner in which, the product will be applied. Our responsibility for products sold is subject to our standard terms and conditions of sale. Parchem does not accept any liability either directly or indirectly for any losses suffered in connection with the use or application of the product whether or not in accordance with any advice, specification, recommendation or information given by it.