

Plastic dowel bar sleeve capable of lateral movement

Uses

Dowelforms are used in conjunction with regular square or round metal dowels to ensure load transfer across joints in concrete pavements whilst allowing movement within the joints. They are suitable for use with 16 mm or 20 mm dowelled joints in;

- Expansion joints
- Contraction joints
- Construction joints

Advantages

- Made from virgin PVC – will not rot or corrode away
- Suitable for 20 mm round or 20 mm square dowels
- Can be used with 16 mm dowels when optional sleeve insert is used
- Provides lateral movement in joint of up to +/- 5 mm
- Fitted with special end cap to accommodate bar expansion
- Available in various lengths to suit dowel design length
- The system utilises reusable nailing plates – no need to drill edge forms

Description

The Dowelform system comprises two main components; the dowel sleeve and the nailing plate.

The dowel sleeve is extruded from rigid PVC and incorporates collapsible fins on the inside of each side of the cover that allows the dowelled concrete joint to move laterally up to 5 mm in each direction. The sleeve is designed to accept standard 20 mm diameter round dowels or 20 mm square dowels as designated by the engineer. Each dowel sleeve is fitted with an end cap to stop slurry entering the sleeve during the initial concrete placement. This end cap also incorporates a collapsible pin which creates space between the end of the sleeve and the end of the dowel to accommodate for any thermal expansion of the metal dowel.

The nailing plate is supplied separately and is generally

reusable for numerous dowel sleeve installations. The nailing plate is nailed to the edge forms then the dowel sleeve is fitted over the nailing plate. On removing the edge form, the nailing plate comes away with the form leaving the dowel sleeve in the concrete ready to accept the metal dowel.

When 16 mm dowels are designated, the optional 16 mm sleeve insert is fitted to the dowel bar and then inserted into the 20 mm Dowelform sleeve.

Installation Instructions

Dowelled joints in concrete pavements are only effective if the dowels are aligned level and parallel to each other therefore care must be taken to ensure formwork is well supported and accurately positioned.

The Dowelform nailing plates should be nailed to the timber edge form at the height and spacing detailed by the Engineering drawings.

The Dowelform sleeve is then fitted over the nailing plates. The size of the dowel sleeve to be used is half the length of the metal dowel to be used. Make sure the sleeve end cap is in place before any concrete placement begins.

After the concrete has hardened sufficiently, the edge forms can be removed and the nailing plates should come away with the form ready for use on the next pour.

The appropriate metal dowel is then inserted into the dowel sleeve. If 16 mm dowels are being used, the optional 16 mm insert must be used also.

Dowel Bars

A range of dowel bars are available in round or square, black or galvanised. Please contact your nearest Parchem office for details.

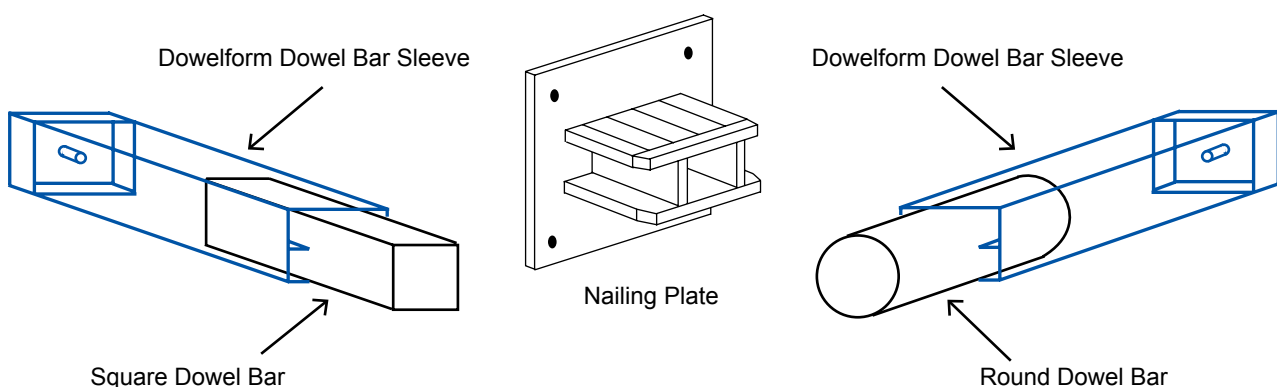
Estimating

Dowelform sleeves are available in sizes 200 mm, 250 mm and 300 mm to suit 20 mm round or square metal dowels. Special sizes can be made to order.

Each Dowelform sleeve comes fitted with an end cap.

If required, 16 mm inserts are sold separately in sizes to suit the Dowelform sleeve being used.

Dowelform nailing plates are sold separately.



Dowelform

Important notice

A Safety Data Sheet (SDS) and Technical Data Sheet (TDS) are available from the Parchem website or upon request from the nearest Parchem sales office. Read the SDS and TDS carefully prior to use as application or performance data may change from time to time. In emergency, contact any Poisons Information Centre (phone 13 11 26 within Australia) or a doctor for advice.

Product disclaimer

This Technical Data Sheet (TDS) summarises our best knowledge of the product, including how to use and apply the product based on the information available at the time. You should read this TDS carefully and consider the information in the context of how the product will be used, including in conjunction with any other product and the type of surfaces to, and the manner in which, the product will be applied. Our responsibility for products sold is subject to our standard terms and conditions of sale. Parchem does not accept any liability either directly or indirectly for any losses suffered in connection with the use or application of the product whether or not in accordance with any advice, specification, recommendation or information given by it.

Corkjoint



Parchem Construction Supplies Pty Ltd
7 Lucca Road, Wyong NSW 2259
Phone: 1300 737 787
www.parchem.com.au
ABN 80 069 961 968

Distributed in New Zealand by: Concrete Plus Ltd
23 Watts Rd, Sockburn 8042 Ph: 03 343 0090