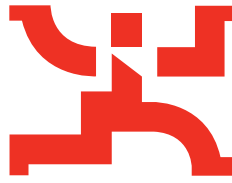


FOSROC



constructive solutions

Fosroc DuraFlex™

High Performance Joint Sealant



Fosroc DuraFlex is a high performance joint sealant based on Silyl Modified Polymer (SMP) Technology. Fosroc DuraFlex offers the weathering and adhesion performance of a silicone sealant together with the toughness and the stain-free properties of a polyurethane sealant.



DuraFlex™

Ultra UV resistant joint sealant

Key Product Features:

- Superior UV resistance & weatherability
- Long lasting flexibility (+/- 25%)
- Non-staining



DuraFlex™ FC

Ultra UV resistant trafficable joint sealant

Key Product Features:

- Superior UV resistance & weatherability
- Long lasting flexibility (+/- 20%)
- Trafficable (Shore A 42)
- Non-staining



PERFORMANCE YOU CAN RELY ON

- Superior UV & Weatherability
- Non-staining
- Long lasting flexibility
- High abrasion & tear resistance

SAVING YOU TIME & MONEY

- Primerless adhesion
- Rapid Paintability*
- Blister free cure
- Better extrudability >5°C
- Better curing >5°C
- Adhesion to wet or damp surfaces

FORMULATED FOR LOCAL CONDITIONS

- Formulated locally
- Low VOC (15g/L)*
- Solvent & Isocyanate free

*Meets Green Building Council of Australia VOC limits for multipurpose construction adhesives and architectural sealants.
+Paintable with water-based paints after product skins in 60 to 90 minutes.

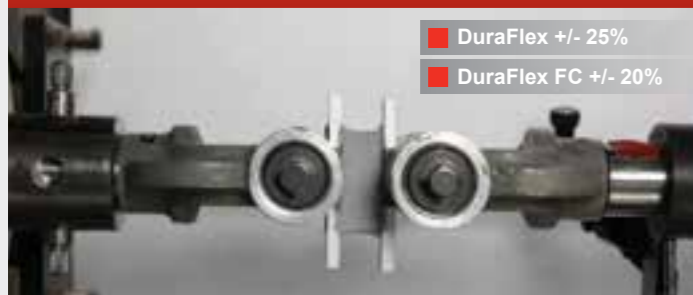
SEALANT AFTER BEING EXPOSED TO UV



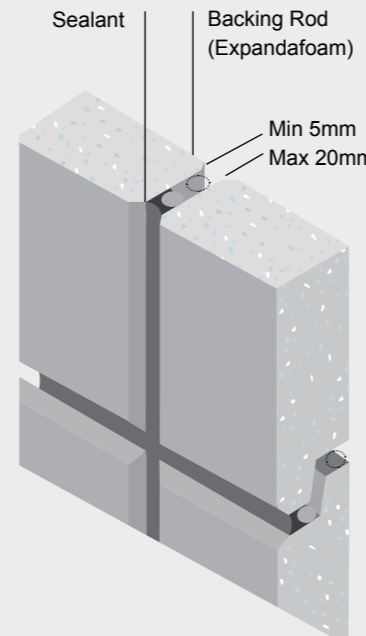
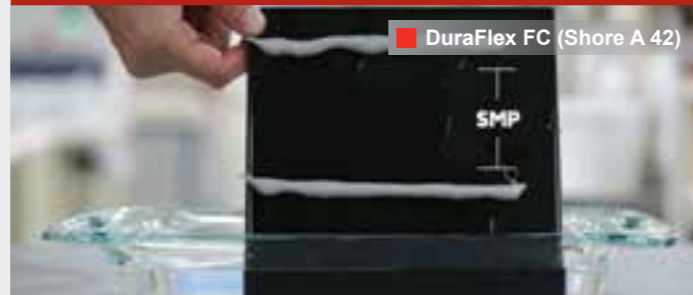
SEALANT AFTER BEING EXPOSED TO WEATHER CONDITIONS



LONG LASTING FLEXIBILITY



PRIMERLESS ADHESION ADHESION TO WET OR DAMP SURFACES



Technical Properties

	DuraFlex	DuraFlex FC
Technology	SMP	SMP
Colours	Concrete Grey, Black & Off White	Concrete Grey, Black
Skin Time	65 mins @ 23°C and 50% RH	50 mins @ 23°C and 50% RH
Tool Time	35 mins @ 23°C and 50% RH	25 mins @ 23°C and 50% RH
Cure Time at 25°C	>2mm /day @50%RH	>2mm/day @50%RH
Specific Gravity(SG)	1.45	1.49
Movement Capability	+/-25%	+/-20%
Elongation	520%	340%
Shore A	34	42
Paintability	Yes – see TDS for details	Yes – see TDS for details
VOC	15g/L	15g/L
Solvent-free	Yes	Yes
Isocyanate-free	Yes	Yes
Modulus	0.75MPa @100%	1.15 MPa @ 100%

Data quoted are typical for this product but do not constitute a specification. Refer to technical data sheet available at www.parchem.com.au

Design Criteria

Joint Design

Minimum joint width: 5mm
Maximum joint width: 20mm
Joints up to 10mm wide, width to depth ratio = 1:1
Joints between 10-20mm wide, width to depth ratio = 2:1

Priming

Excellent adhesion can be gained on concrete, timber, metals, ceramics, brickwork and most coating surfaces without the use of primers. On some surfaces (such as FC sheet) however, adhesion may be improved by the use of a primer. Refer to your local Parchem office for technical data sheet.

Backing Rod

To achieve the correct depth to width ratio, backing rod provides a firm backing to ensure sealant can be tooled off. In all joints a bond breaker must be used to prevent sealant contact with the back of the joint. In shallow joints self-adhesive polyethylene tape can be used. Deep joints should incorporate a backing strip such as Expandaf foam PEF Rod to support the sealant while also acting as a bond breaker.

Coverage

On average one 600ml sausage will supply 12 metres of 10mm x 5mm sealant bead.

Manufactured under license to Fosroc International Limited. Fosroc, the Fosroc logo are trademarks of Fosroc International Limited. The Parchem logo is a registered trademark and DuraFlex is a trade mark of Parchem Construction Supplies Pty Ltd and Concrete Plus Limited in New Zealand.

Before applying DuraFlex & DuraFlex FC refer to Technical Data Sheet available at www.parchem.com.au or phone 1300 737 787.

Product Offer

630220	Fosroc DuraFlex Concrete Grey 600ml
630221	Fosroc DuraFlex Black 600ml
630222	Fosroc DuraFlex Off White 600ml
630200	Fosroc DuraFlex FC Concrete Grey 600ml
630201	Fosroc DuraFlex FC Black 600ml



www.parchem.com.au



**Superior Service
Throughout
Australia**

With trade stores and warehouses throughout Australia, Parchem is able to offer a superior level of service to customers in all regions of the country.

**Single Source
Supplier**

Parchem range of products gives you the security of dealing with a single supplier for a complete range of compatible solutions to meet the total needs of your project.

**ISO 9001 Quality
Assurance**

With its manufacturing facilities fully accredited to ISO 9001, Parchem offers its customers the assurance of independently audited quality systems.



Parchem Construction Supplies Pty Ltd
7 Lucca Road, Wyong NSW 2259
Phone: 1300 737 787
www.parchem.com.au
ABN 80 069 961 968