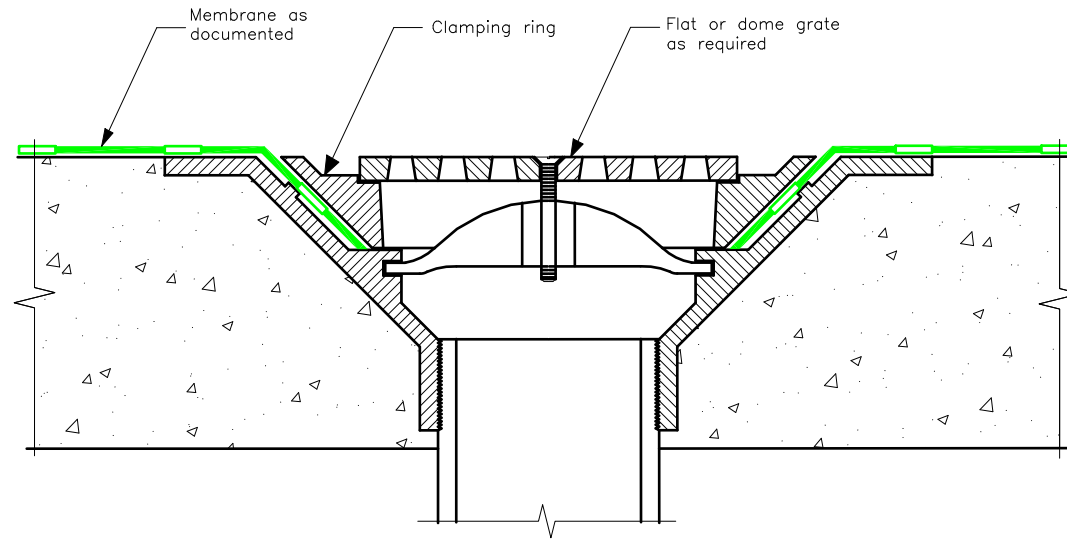


As suppliers of building and civil engineering products Parchem Construction Supplies Pty Ltd do not offer a design service. Information in this drawing is a suggestion only and must not be used for construction except as a signed off drawing by the specifier or contractor



NOTE: For falls, see AS 4654.2 – 2009, Clause 2.4.1

Typical Drainage Detail For An Exposed Membrane

SCALE:— NTS
 DRAWN BY:— EC
 DATE:— 8/7/10
 LATEST AMENDMENT:—
 DATE:—

TSD/W-RPSD16

ISSUE NUMBER 1



PARCHEM CONSTRUCTION SUPPLIES
 7 LUCCA ROAD, WYONG
 NSW 2259

TECHNICAL: 1800 812 864
 SALES: 1800 624 322